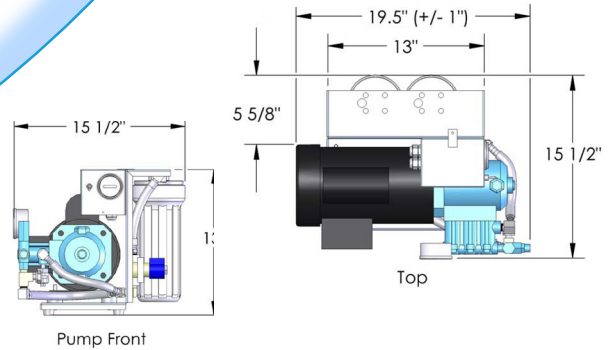
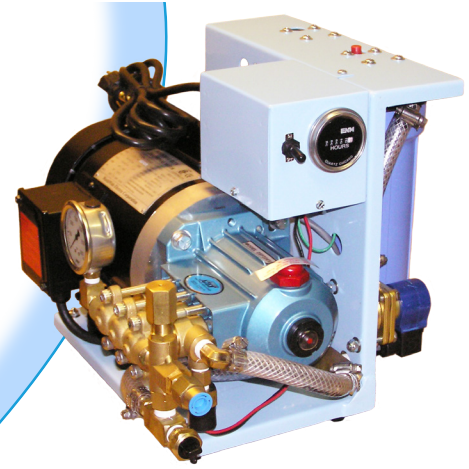


ZONE Genie

HIGH PRESSURE PUMPS

OP Series Zone Genie pumps are single speed commercial quality, open frame, high pressure pumps. Built with only quality components, the OP series pumps feature all the advanced system components necessary for long dependable pump life. Extended bypass with integrated thermal protection combine to help protect the pump from cavitation and over heating. The low pressure safety system protects the pump from fatal dry running. Top quality inlet valve, grade A pressure gauge, and integrated hour usage meter in an open frame configuration results in a robust and compact pump package, perfect for tight spaces or budget conscience projects.

- ⊖ Catpumps® Industrial Grade Pumps Coupled to Industrial Motors
- ⊖ 14 Gauge Powder Coated Frame & Stainless Steel Hardware
- ⊖ Low Water Pressure and Thermal Protection Systems
- ⊖ Grade A Pressure Gauge and Integrated Hour Meter
- ⊖ Compatible With Any 120V Switch Type Control
- ⊖ Variable Up to 1250 PSI High Pressure Output
- ⊖ Quality GC Valves Inlet Solenoid Valve
- ⊖ Automatic Mist Line Drain Valve
- ⊖ Integrated Dual Filtration
- ⊖ Garden Hose Connection
- ⊖ Extended Bypass Loop



OP Series

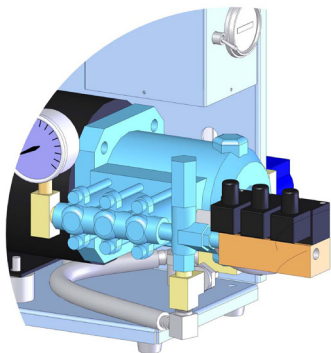
Single Speed

Single Outlet

0.5 - 1.75 GPM

Open Frame

Optional Zone Outlet Manifold



An optional factory valve manifold can be installed directly on the outlet of the pump. The specially designed through port valves allow for an always-open port. This is important because single speed pumps have minimum flow requirements. Unused water is redirected back to the inlet of the pump in a bypass loop. When setting up zones it is important to pay attention to zone flow rates. The pump should never operate below 50% of its rated GPM. Many times this is accomplished by using the always open port to operate a large enough zone to fulfill the 50% flow requirement. If the design calls for operation under 50% of rated GPM, it is recommended the pump is upgraded to a ZS or ZG series.

Installation

Placement

The open frame pump is ideal for locating inside BBQ islands, indoors or out in the elements. Featuring a TEFC motor and liquid tight wiring, the OP series can be installed anywhere.

Electric Connection - Cord or Lead

The electrical box on the OP series is not accessible during installation, therefore the pump comes with the option of the appropriate 6' power cord with plug or a SJT cord lead of specified length.

Controls - Switch or 120V Control Lead

The pumps come standard with a sealed switch on the front. When remote control is desired or needed, the pump comes with an optional 120V, 50mA switch lead, wired in series with the front panel switch. This allows the use of any switch type to control the pump from a remote location. Low voltage control is not available on this model.

Optional Zone Outlets Control

This pump has no integrated zone control. Any additional optional zone outlets must be externally controlled. Zone valves are 120V and any external control system must open the zone valve and turn on the pump so two poles are needed. Pool controllers work well as zone control because of their two pole relays. Use one pole to activate the pump and the second pole to open the desired relay.

Water Inlet Connection - Filtered

With included filtration, only a garden hose connection is required.

High Pressure Outlet

The pump has one 1/4" Female NPT port.

Typical Pump Model Specifications

Model #	GPM	HP	Zones	Voltage	Phase	Amps	lbs
OP0500	0.50	0.5	0-3	120	1	10	65
OP1100	1.10	1	0-3	120	1	15	70
OP1500	1.50	1.5	0-3	120	1	20	80
OP1750	1.75	1.5	0-3	120	1	20	80

OP SERIES MODEL NUMBERS

Example OP1100-2-2R1

Pump Size	Zones	Pressure Capability	Control	Voltage	Cord
OP0500 (0.5 GPM)	Blank (Single Outlet)	2 (1200 PSI)	S (Switch on Front)	1 (120V, 60Hz)	Blank (Hard Wire 8' Lead)
OP1100 (1.1 GPM)	01 (Always On Outlet + 1 Zone)		R (120V - 0.1A Control Lead)		C (6' 120V Plug 15 amp, 20 amp on 1.5 GPM and 1.75 GPM)
OP1500 (1.5 GPM)	02 (Always On Outlet + 2 Zone)				
OP1750 (1.75 GPM)	03 (Always On Outlet + 3 Zone)				